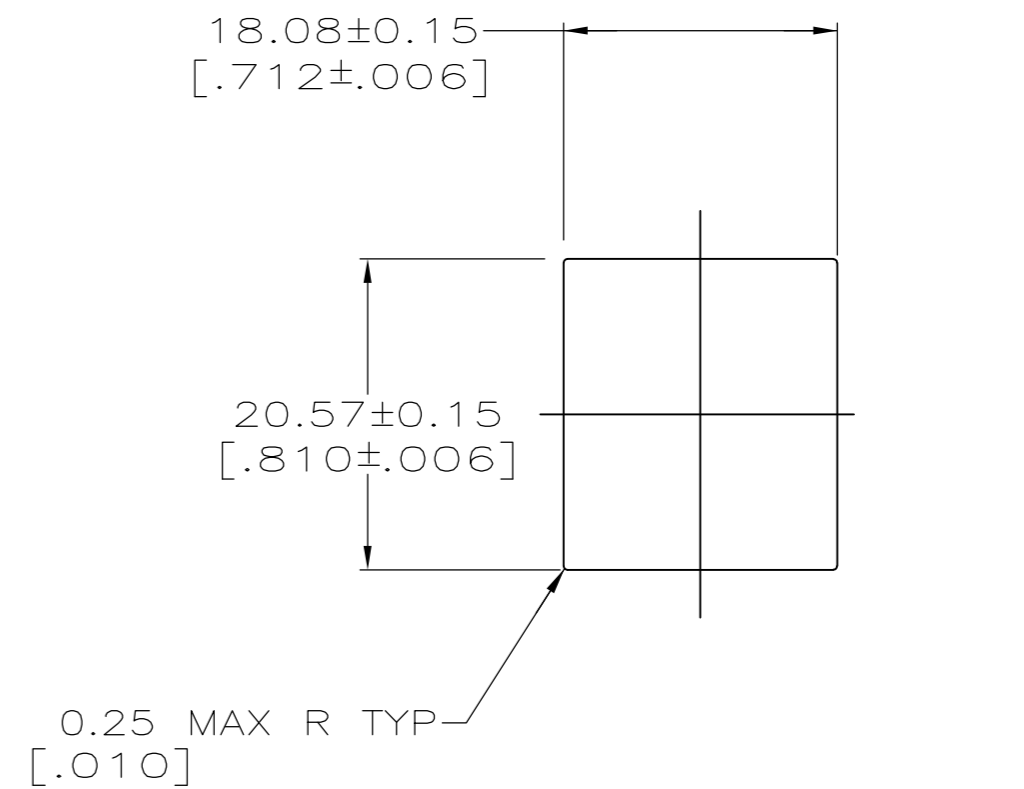
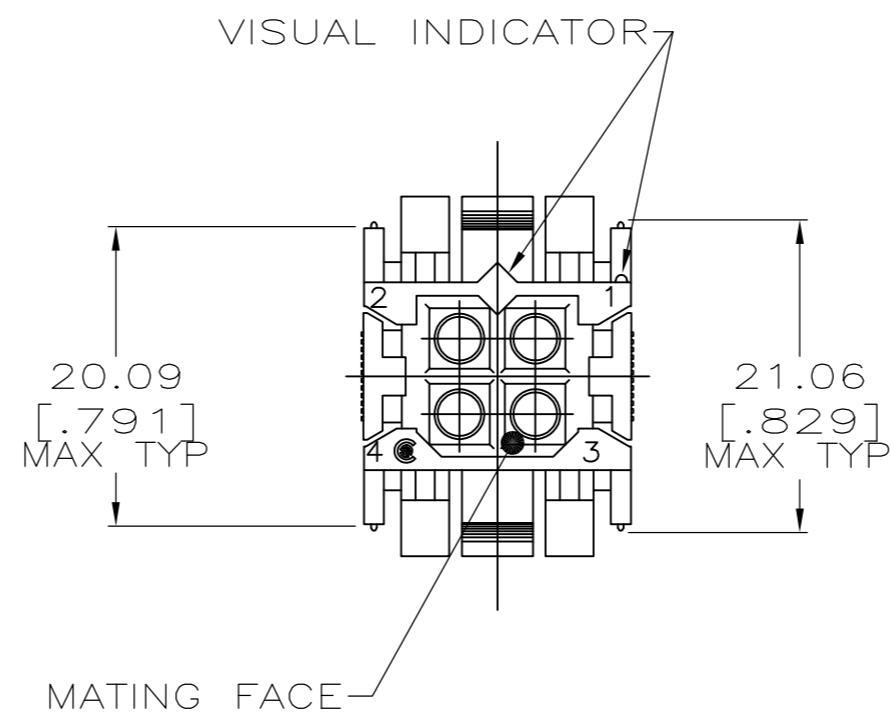
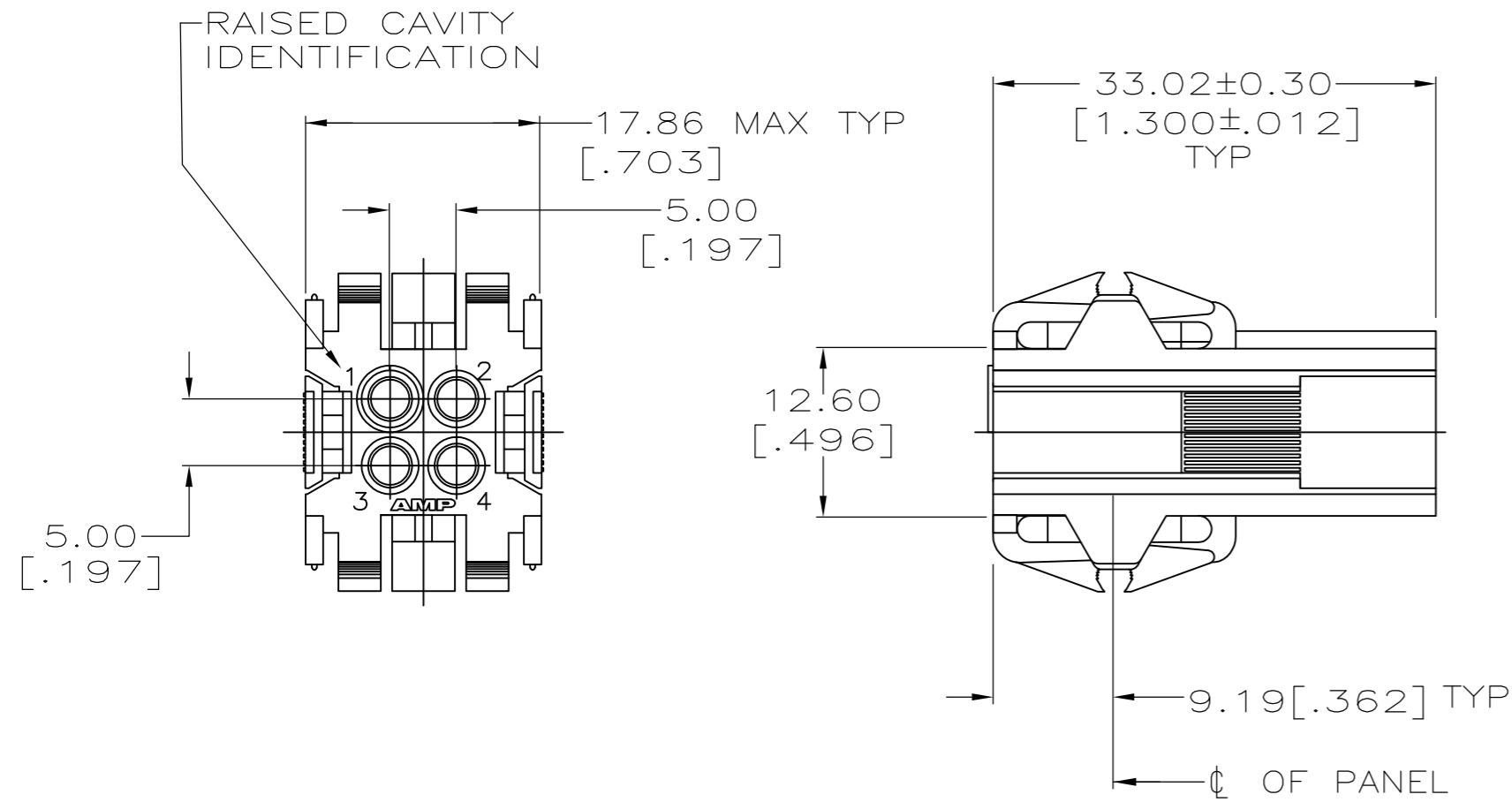


THIS DRAWING IS UNPUBLISHED. RELEASED FOR PUBLICATION  
 © COPYRIGHT BY TYCO ELECTRONICS CORPORATION. ALL RIGHTS RESERVED.

LOC		DIST		REVISIONS			
P	LTR	DESCRIPTION		DATE	DWN	APVD	
	S1	REVISED PER ECO-07-020019		8/27/07	SS	GS	



1. PANEL RETENTION MECHANISM ACCOMMODATES PANEL THICKNESSES FROM 0.76[.030] TO 2.29[.090].

2. SAME AS 207016-1 EXCEPT: ROUNDED EDGES ON THE OUTSIDE OF THE HOUSING AND A 45° ANGLE ON THE OUTSIDE OF THE HOUSING BY THE LOCKING LATCHES, REF 928096.

207016-2
207016-1
PART NUMBER

THIS DRAWING IS A CONTROLLED DOCUMENT.		DWN W.LENKER 08/26/92	Tyco Electronics Corporation Harrisburg, PA 17105-3608	
DIMENSIONS: mm [INCHES]		CHK R.STONE 8-31-92	NAME HOUSING, RECEPTACLE, 4 POSITION, METRIMATE	
TOLERANCES UNLESS OTHERWISE SPECIFIED:		APVD -	PRODUCT SPEC 108-10033	
0 PLC ± -		APPLICATION SPEC -		
1 PLC ± -		SIZE A2 CAGE CODE 00779 C=207016		
2 PLC ± 0.25 [.010]		DRAWING NO -		
3 PLC ± -		RESTRICTED TO -		
4 PLC ± -		SCALE 2:1 SHEET 1 OF 1 REV S1		
ANGLES ± -		CUSTOMER DRAWING		
FINISH -		WEIGHT -		
MATERIAL NYLON, COLOR: RED		FINISH -		